

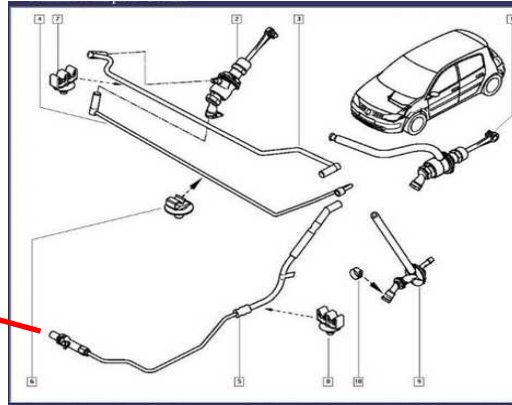
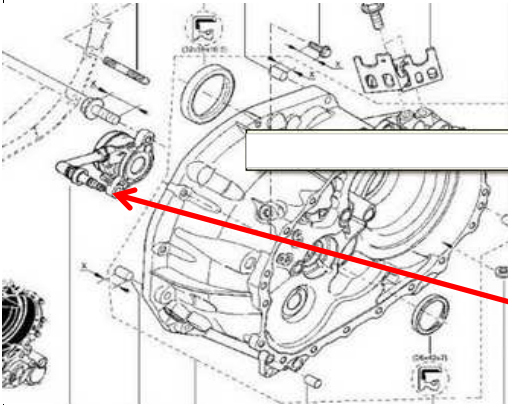
Date :	18/02/2014	account costumer		claim warranty		vsx identification	
--------	------------	------------------	--	----------------	--	--------------------	--

CLAIM INFORMATION

INFORMATIONS GENERALES		INFORMATIONS VEHICULE	
customer	E,A,I	mark and type of the car	
date of warranty claim		year of car product	
date of reception to valéo		mileage of the car	
part		date of assembling	
reference		date of incident	
		mileage of product	

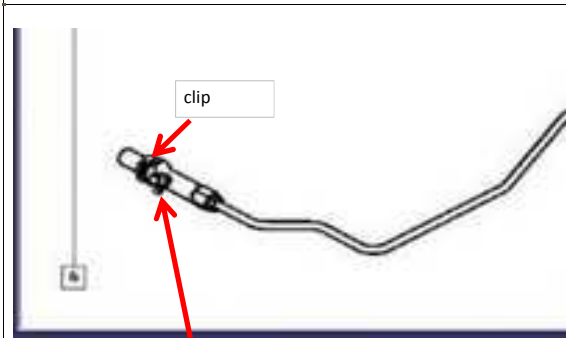
Defect found

ANALYSIS



gearbox Renault Megane 2

hydraulic system Renault Megane 2



clip

bleeder nipple

pipe to connect on CSC,

CONCLUSION

- 1 -Lift the clip up to stop the liquid
- 2 - insert a see-through pipe on the bleeder nipple
- 3 - Take off the cap of the brake liquid tank,
- 4 - Use a syringe with brake liquid 60ml
- 5 - Maintain the pedal in up position,
- 6 - Insert the syringe with liquid on the see-through pipe and inject the liquid until you see in the tank some bubbles,
- 7 - Push the clip
- 8 - Close the bleeder nipple with its cap
- 9 - Push the pedal 3 times and control if there's no liquid leak by the bleeder nipple
- 10 - The pedal must be soft not too hard,

caution

Rapport établi par

M,KOUADRIA

TECHNICAL VERDICT